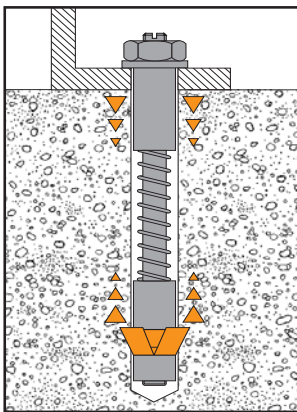


**LIEBIG
ultraplus**

Preloaded undercut anchor system with positive mechanical interlocking in the undercut.

Use: For anchoring in cracked and uncracked concrete with the highest safety requirements, eg: for dynamic, vibrating oscillating loads on cranes, heavy machines or safety relevant components such as in nuclear power stations.



When installed in the drilled hole the segments automatically open by spring pressure and locate in the pre-drilled hole undercut.

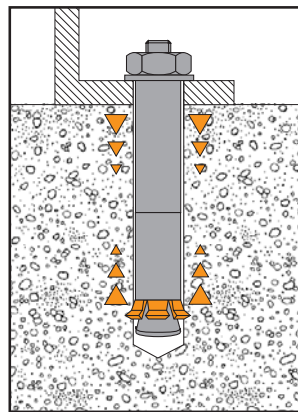
**LIEBIG
superplus**

Self-undercut anchor with mechanical interlock. Installed without additional tools.

Use: For anchoring in cracked and uncracked concrete, when safe and quick installation is required, even at small centre spacings and edge distances.



Type BLS



After installing into the drilled hole, the undercut is automatically achieved into the concrete by the application of torque.

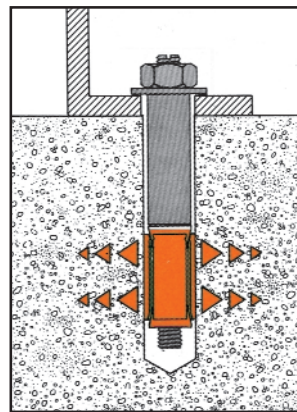
**LIEBIG
Safety Bolts**

Twin-coned heavy duty bolt with cylindrical expansion. For tensile and compressive loads.

Use: For anchoring where high safety is required, eg: tensile/alternating loads, installation of machinery, high rise racking or other steel constructions.



Type B

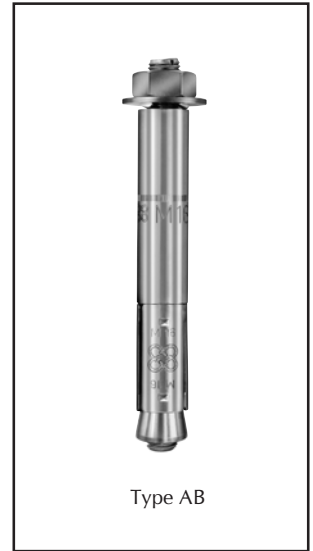


When tightening the bolt the two opposing cones force the expansion sleeve to break at a pre-calibrated point and the full length is then forced against the side wall.

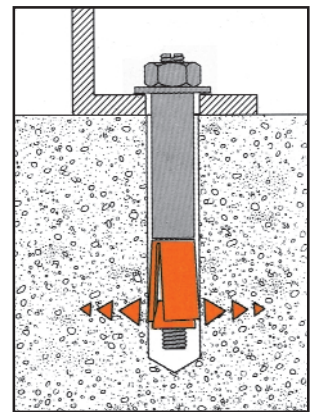
**LIEBIG
Bolts**

Single cone bolt.

Use: For fixings where reliability and economy is required, eg: installation of structural components or machinery.



Type AB



When tightening the bolt, the cone is drawn into the lower end of the expansion sleeve. It is expanded and locked into position against the side wall of the hole.